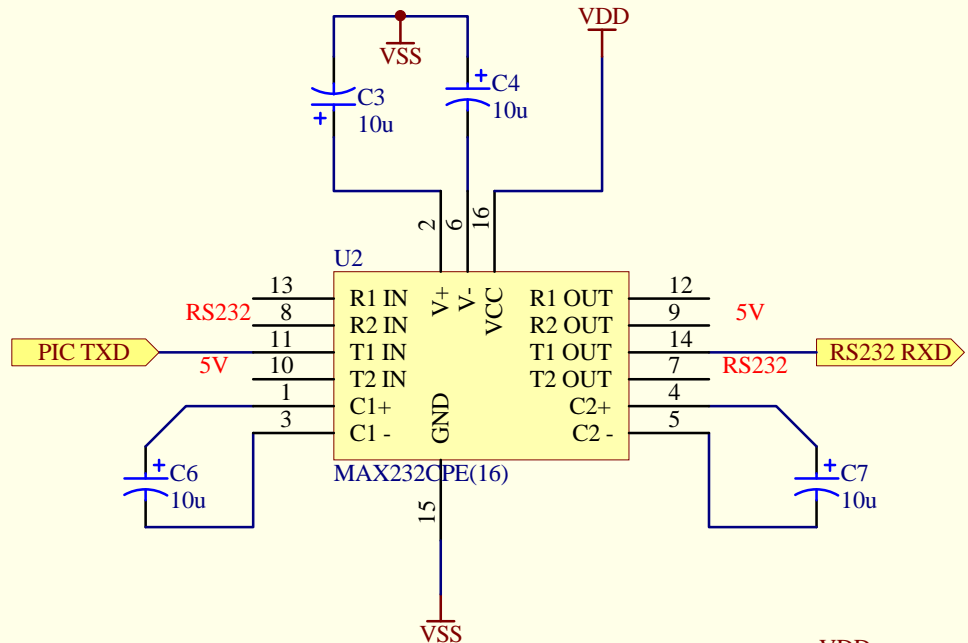
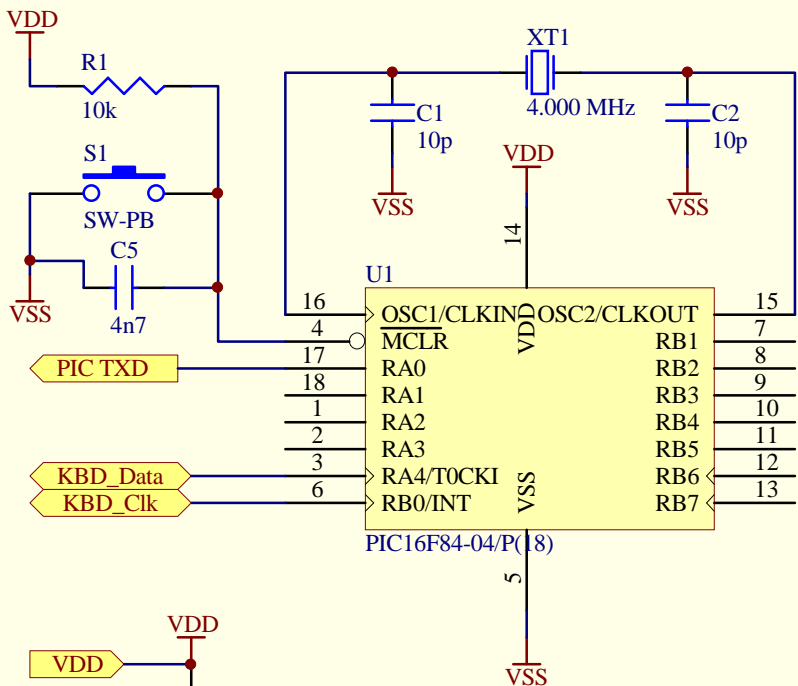


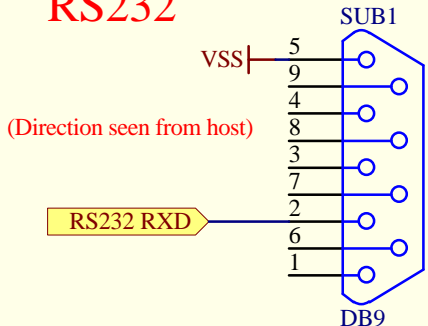
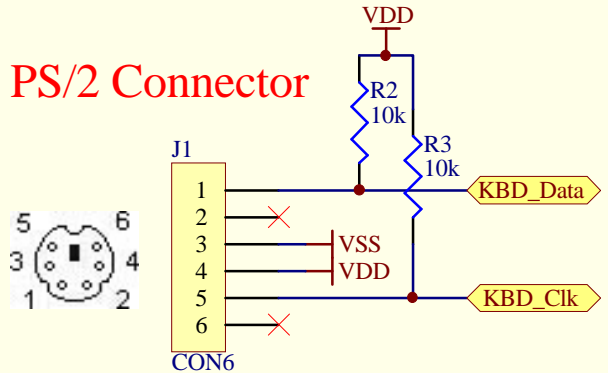
PIC16F84

MAX232



PS/2 Connector

RS232



Title		
AT Keyboard Interface with PIC16F84		
Written by	Date	
Peter Luethi	16-Aug-2003	
Dietikon, Switzerland	Revision	Page
	1.03	1 of 1