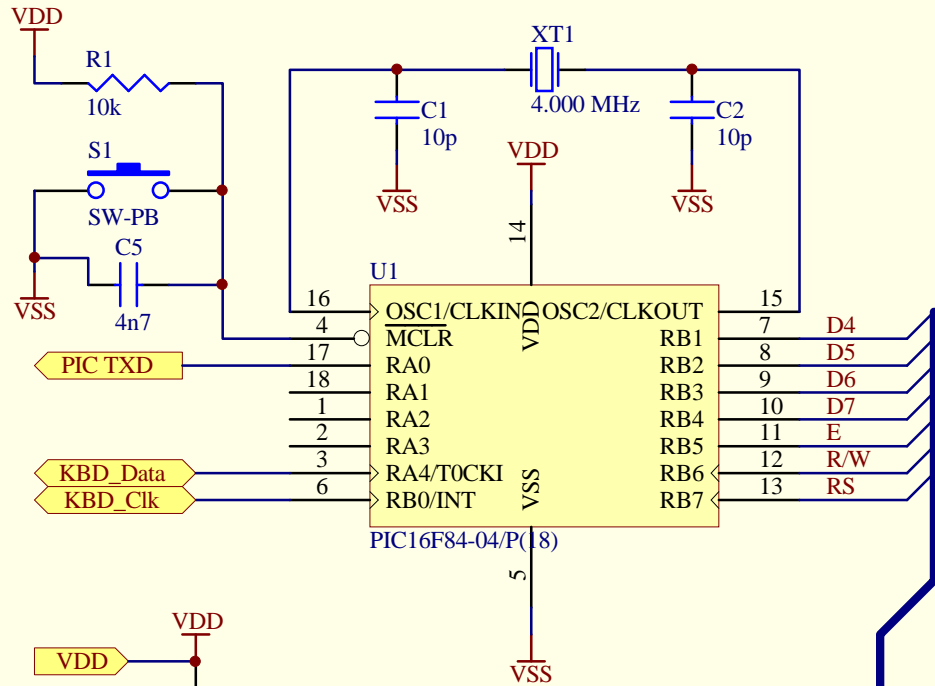
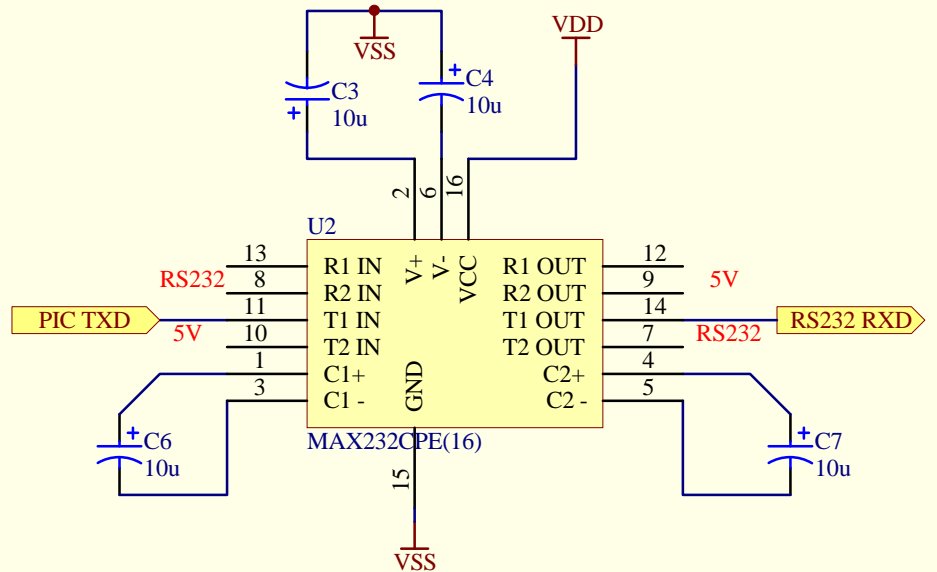


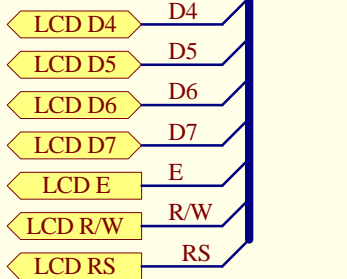
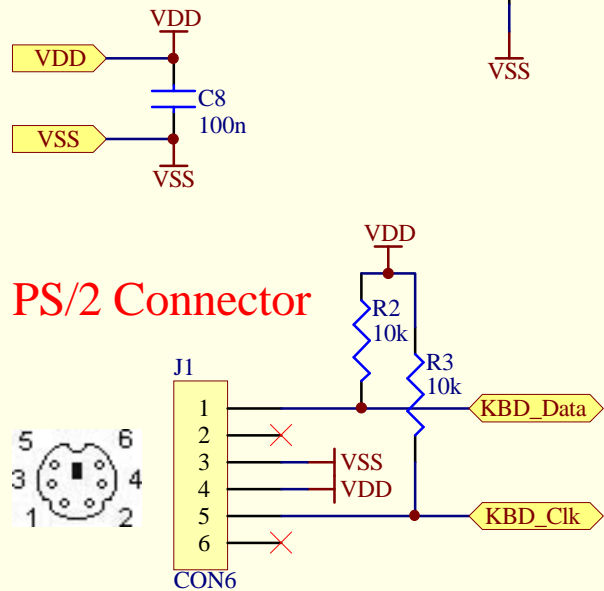
PIC16F84



MAX232

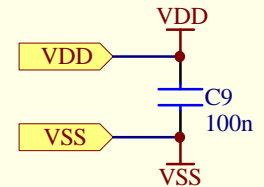
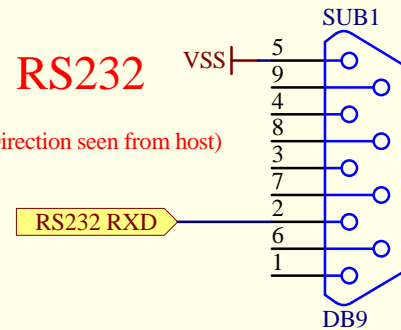


PS/2 Connector



RS232

(Direction seen from host)



Title		AT Keyboard Interface with PIC16F84	
Written by		Peter Luethi Dietikon, Switzerland	
Date	16-Aug-2003		
Revision	2.03	Page	1 of 1