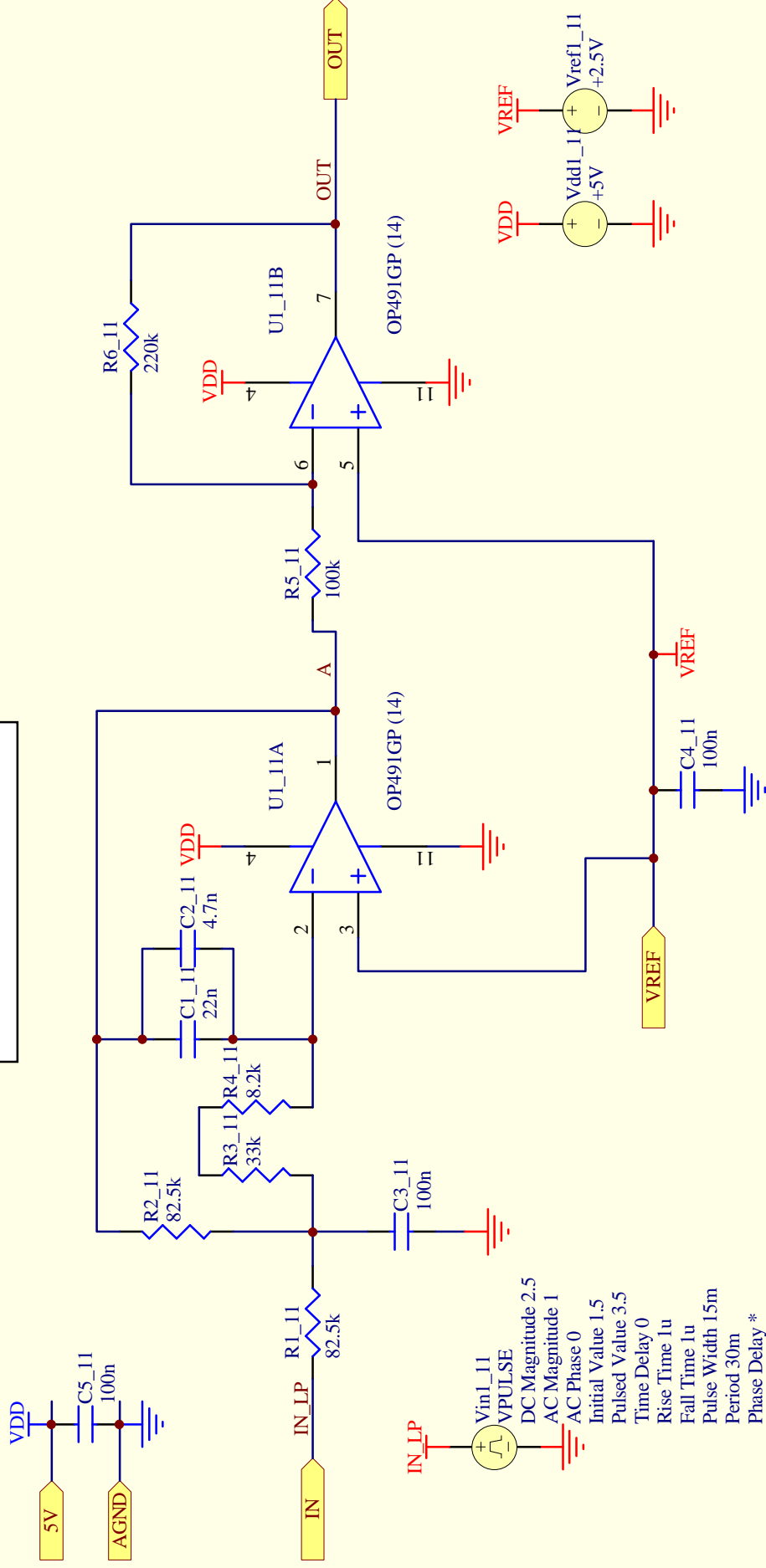


Multiple Feedback Second Order
 Butterworth Low Pass Filter
 $F_c = 50 \text{ Hz}$
 Gain = 1.00

Range Adaption
 $A = 2.2$



- Vin1_11
- VPULSE
- DC Magnitude 2.5
- AC Magnitude 1
- AC Phase 0
- Initial Value 1.5
- Pulsed Value 3.5
- Time Delay 0
- Rise Time 1u
- Fall Time 1u
- Pulse Width 15m
- Period 30m
- Phase Delay *
- *
- *
- *
- *
- *

Filter Stage for ADXL210 Y-Axis

Title: Filter Stage for ADXL210 Y-Axis
 Date: 12-Apr-2001
 Rev: 1.0
 Page: 11 of 16

Proj: Low-Budget Inertial Navigation System
 Peter Luethi, Thomas Moser - SS 2000 IFE

