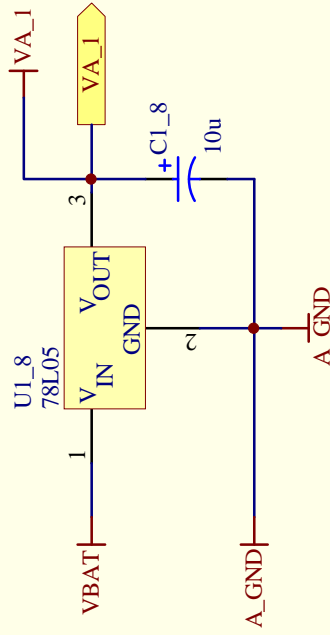
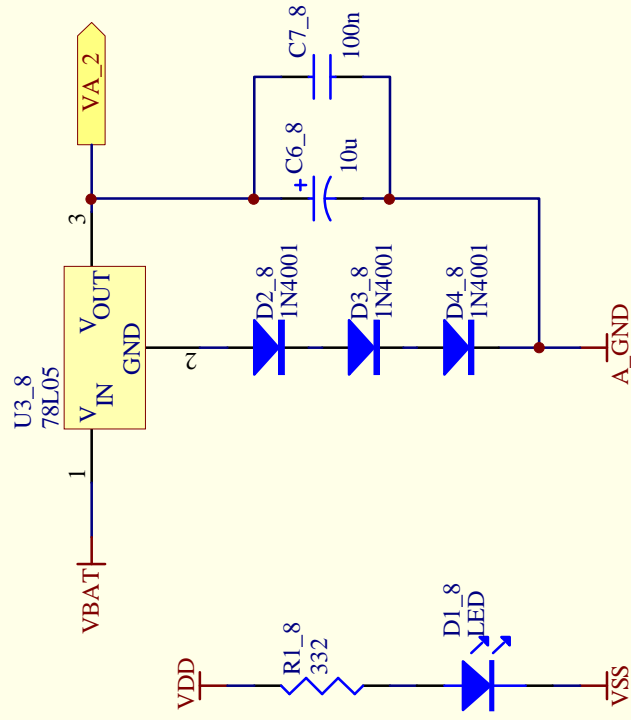


5 Volt analog power supply for pressure sensor and A/D converter (analog supply input)

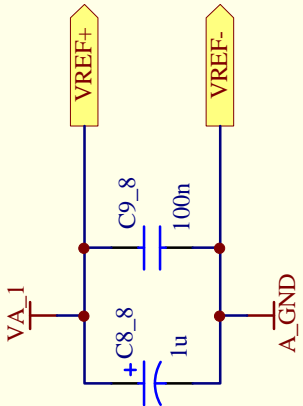
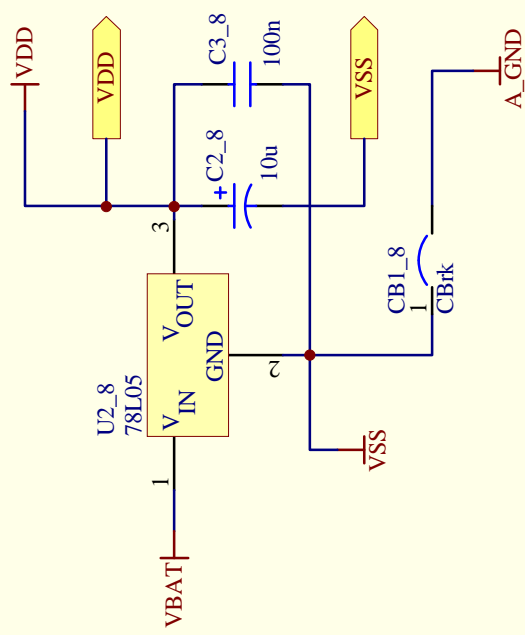


6.68 Volt analog power supply for operational amplifier of active filter stages.

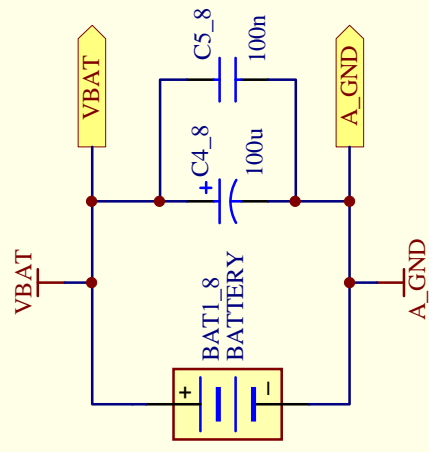


The positive and negative reference voltages for the NSC ADC12130 adjust the input range of the AD converter according to the signals being converted. So the maximum resolution is achieved for the input signals. In our case, the minimum voltage is the analog ground potential and the maximum voltage is the maximum output level of the pressure sensor, 5 V, therefore we connect the positive reference input to VA_1.

5 Volt digital power supply for digital logic (PIC16F84, MAX232,...) and A/D converter (digital supply input).



8 - 10 Volt
Do not exceed 10 Volt because of the wireless transmitter !



Title Power Supplies & Reference Voltage	
Written by Peter Luethi	Date 23-Apr-2001
Dietikon, Switzerland	Revision 1.03
	Page 8 of 8