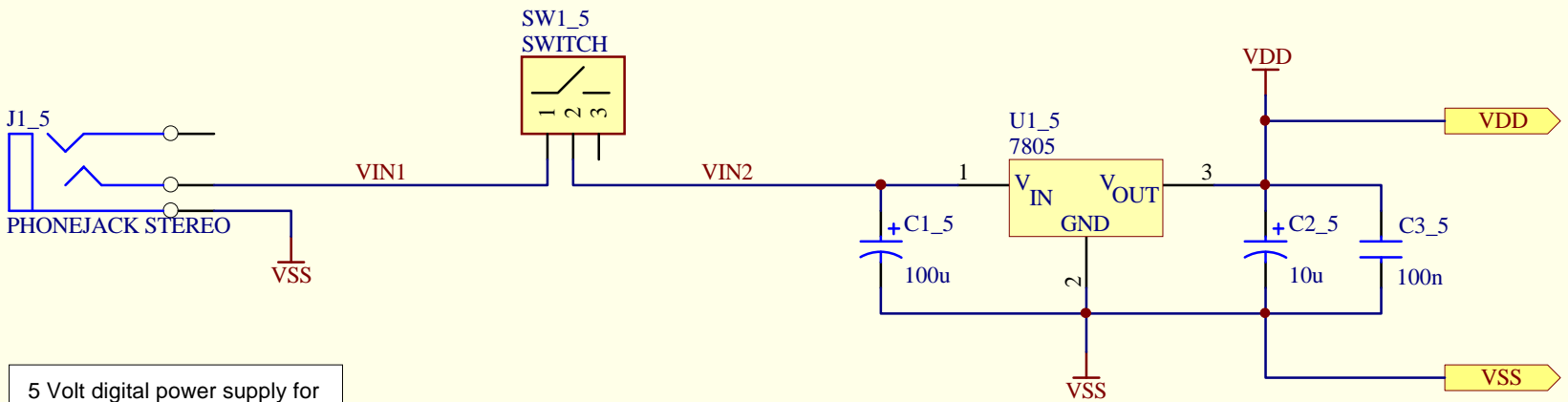
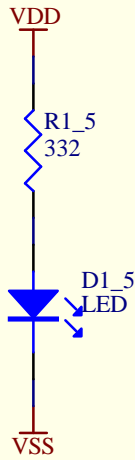


D

D



5 Volt digital power supply for digital logic: PIC16C74A, MAX232, AT Keyboard.



C

C

B

B

A

A

Title		Power Supply	
Written by		Date	
Peter Luethi		7-Oct-2003	
Dietikon, Switzerland		Revision	Page
		1.00	5 of 5