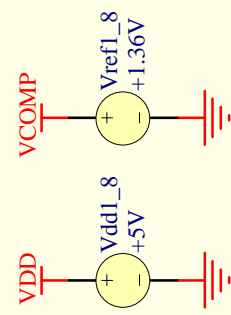
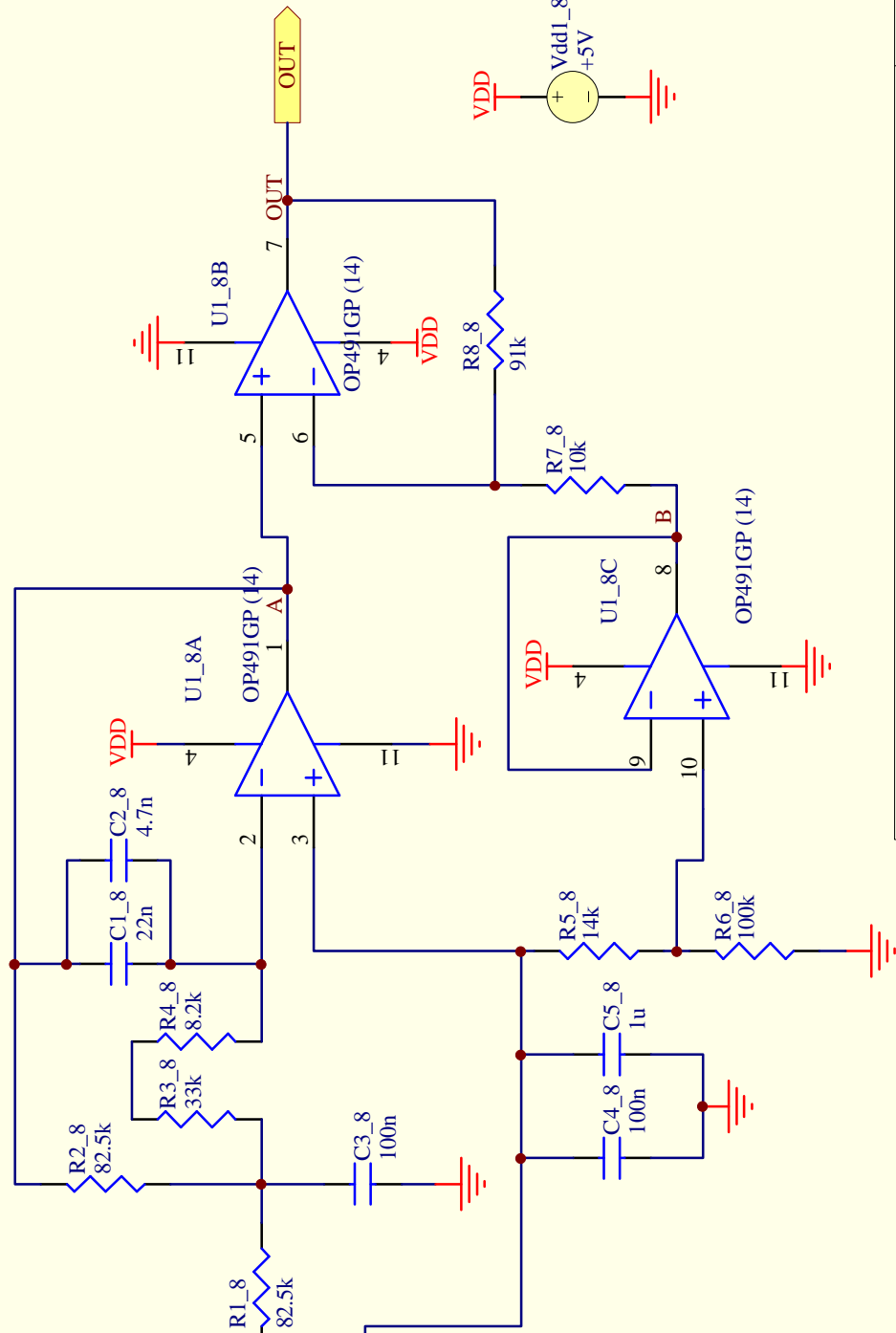
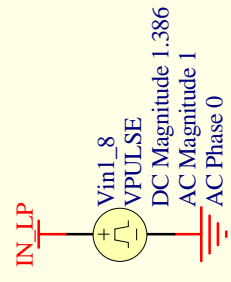
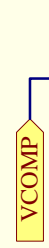
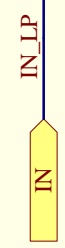


Multiple Feedback Second Order
Butterworth Low Pass Filter
Fc = 50 Hz
Gain = 1.00

Range Adaption
A = 10



Filter Stage for Gyro ENC03 X-Axis

Low-Budget Inertial Navigation System
Peter Luethi, Thomas Moser - SS 2000 IFE

Eidgenössische
Technische Hochschule
Zürich

Title: Filter Stage for Gyro ENC03 X-Axis
Date: 12-Apr-2001
Rev: 1.0 Page: 8 of 16