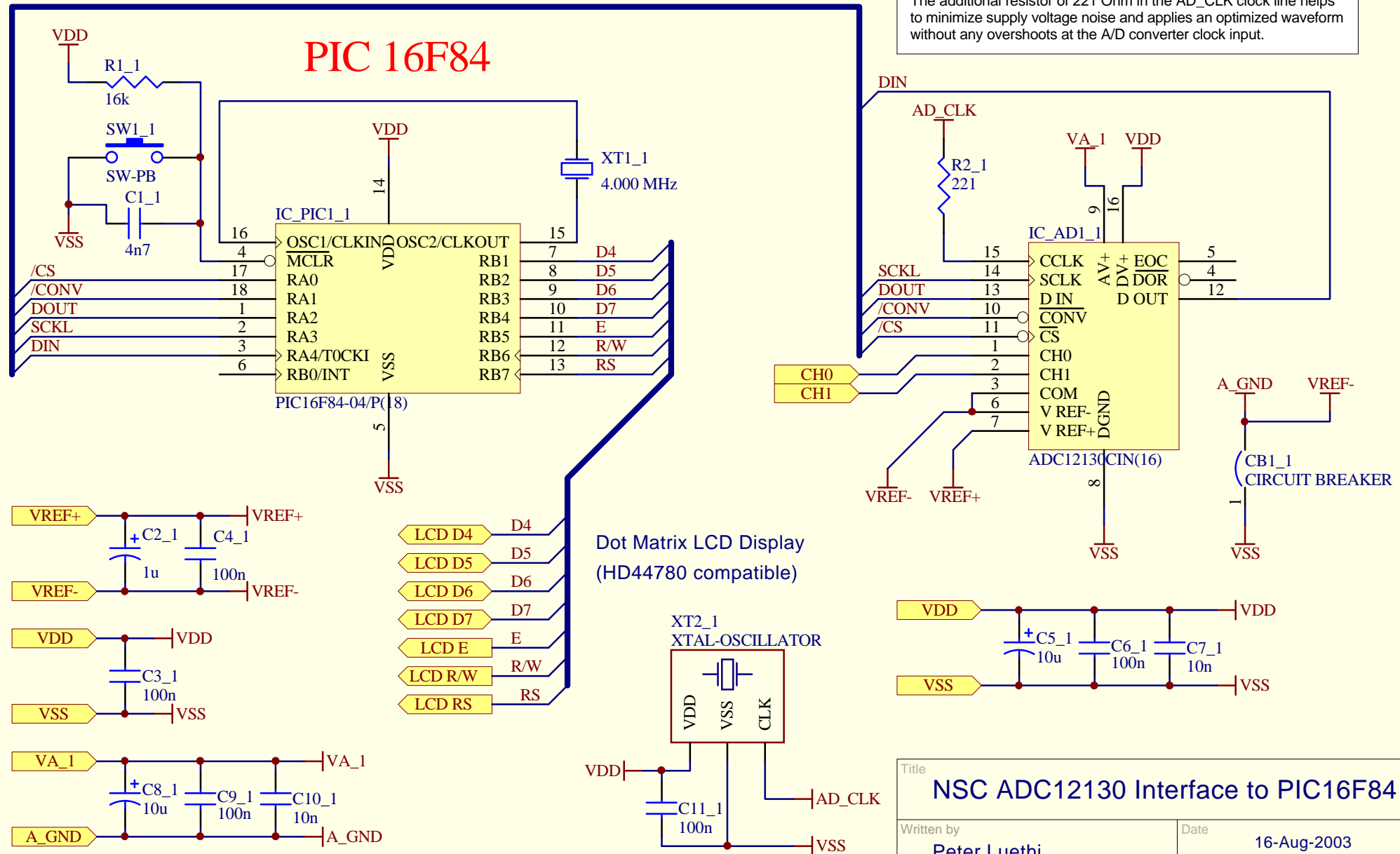


Separate every data connection with an extra ground connection.

The additional resistor of 221 Ohm in the AD\_CLK clock line helps to minimize supply voltage noise and applies an optimized waveform without any overshoots at the A/D converter clock input.



Title <b>NSC ADC12130 Interface to PIC16F84</b>		
Written by <b>Peter Luethi</b> Dietikon, Switzerland	Date 16-Aug-2003	
	Revision 1.01	Page 1 of 1