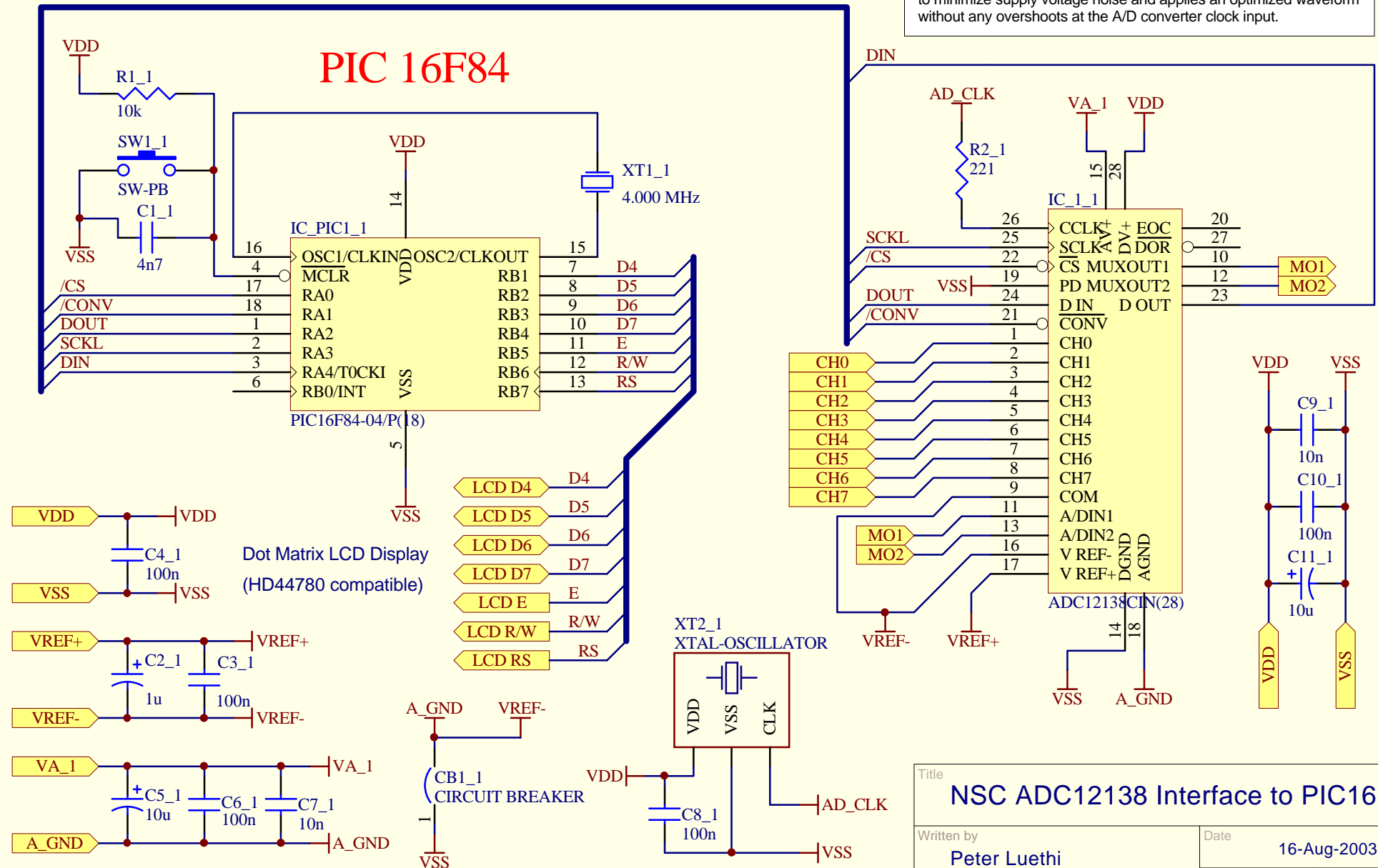


Separate every data connection with an extra ground connection.

The additional resistor of 221 Ohm in the AD_CLK clock line helps to minimize supply voltage noise and applies an optimized waveform without any overshoots at the A/D converter clock input.



| | | | |
|------------|-------------|---------------------------------------|--------|
| Title | | NSC ADC12138 Interface to PIC16F84 | |
| Written by | | Peter Luethi Dietikon, Switzerland | |
| Date | 16-Aug-2003 | | |
| Revision | 1.00 | Page | 1 of 1 |