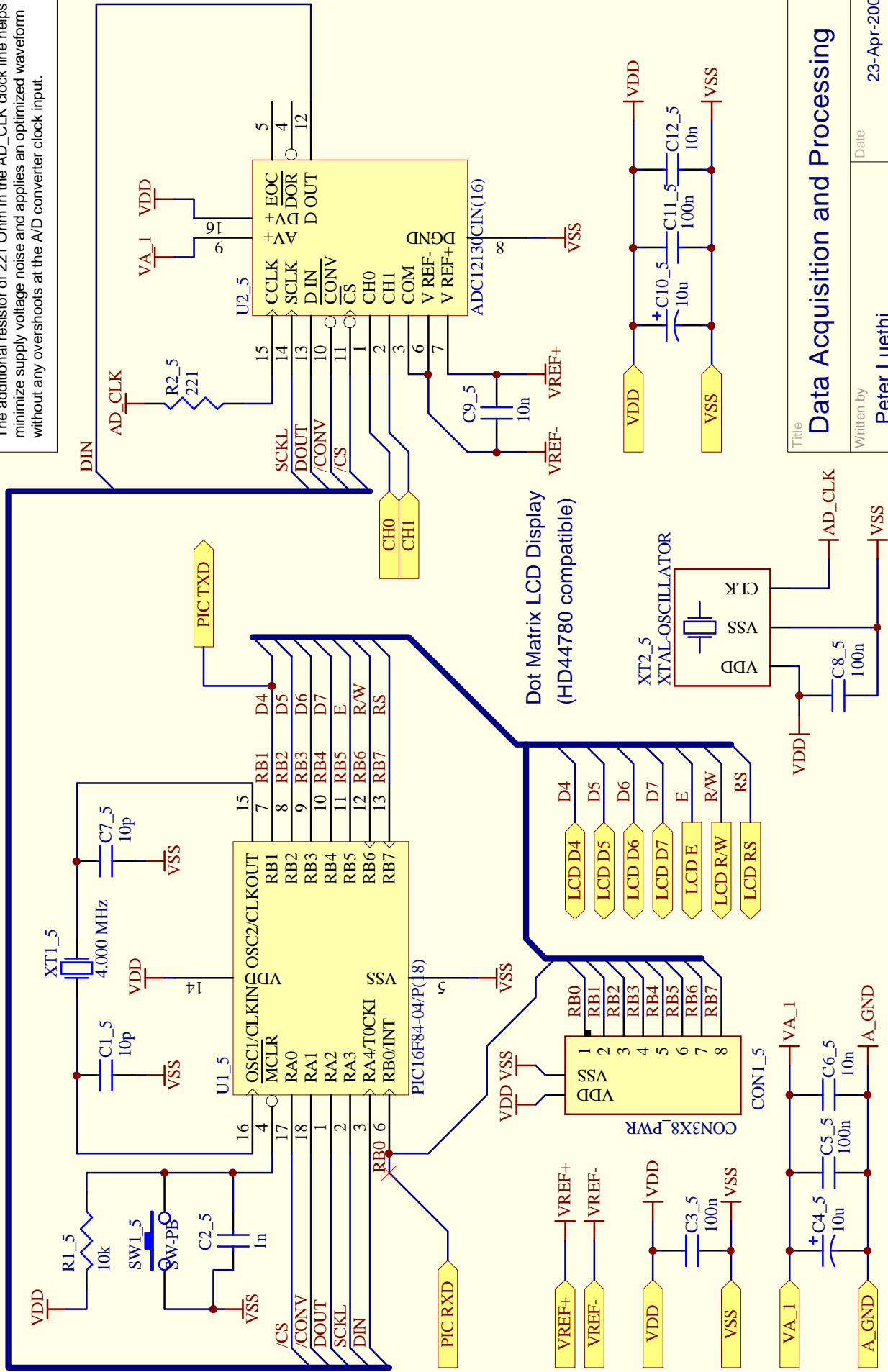


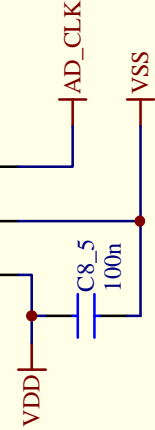
Separate every data connection with an extra ground connection.



The additional resistor of 221 Ohm in the AD_CLK clock line helps to minimize supply voltage noise and applies an optimized waveform without any overshoots at the A/D converter clock input.

Data Acquisition and Processing

Title Peter Luethi Dietikon, Switzerland	
Date 23-Apr-2001	Page 5 of 8
Revision 1.03	



Dot Matrix LCD Display
(HD44780 compatible)

