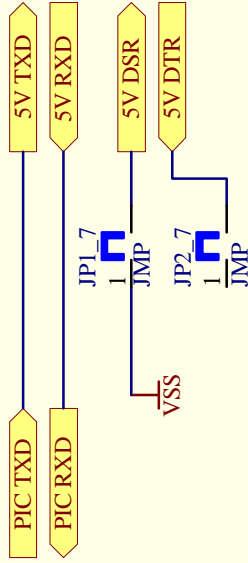


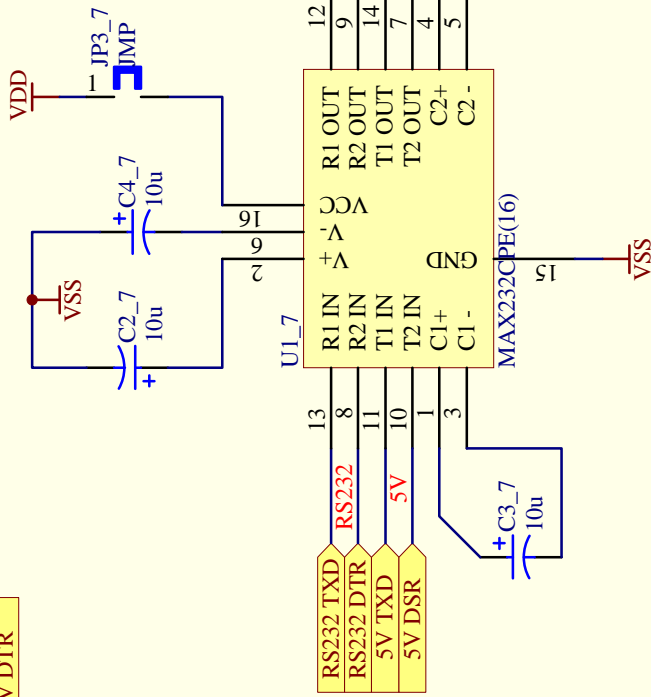
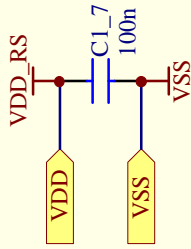
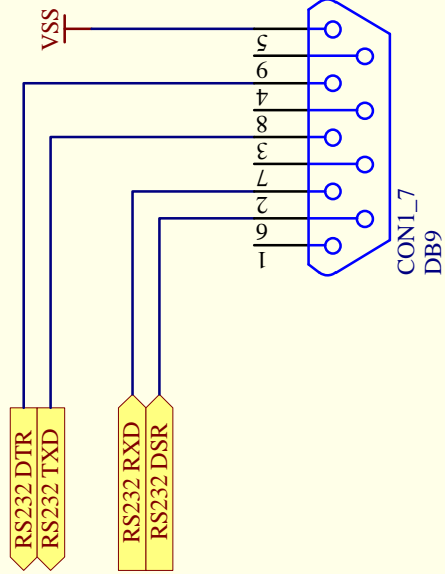
PIC16F84

(Direction seen from controller)



RS232

(Direction seen from host)



Title
 RS232 Interface using MAX232

Written by
 Peter Luethi
 Dietikon, Switzerland

Date
 23-Apr-2001

Revision
 1.03

Page
 7 of 8