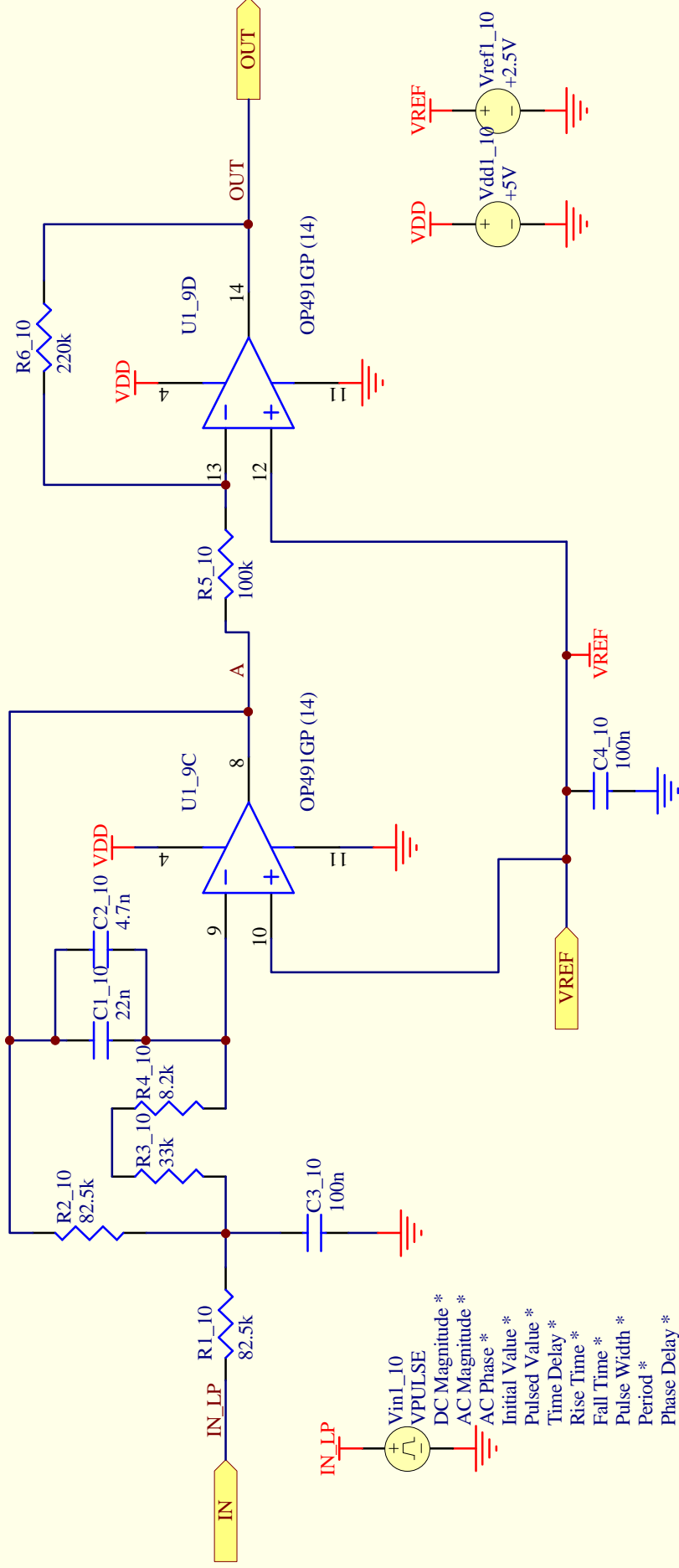


Multiple Feedback Second Order  
Butterworth Low Pass Filter  
Fc = 50 Hz  
Gain = 1.00

Range Adaption  
A = 2.2



- IN\_LP
- Vin1\_10
- VPULSE
- DC Magnitude \*
- AC Magnitude \*
- AC Phase \*
- Initial Value \*
- Pulsed Value \*
- Time Delay \*
- Rise Time \*
- Fall Time \*
- Pulse Width \*
- Period \*
- Phase Delay \*
- \*
- \*
- \*
- \*
- \*

# Filter Stage for ADXL210 X-Axis

Title: Filter Stage for ADXL210 X-Axis  
Date: 12-Apr-2001  
Rev: 1.0  
Page: 10 of 16

Proj: Low-Budget Inertial Navigation System  
Peter Luethi, Thomas Moser - SS 2000 IFE

